

Name _____

Date _____

Unit Test Review for Module 27107-06

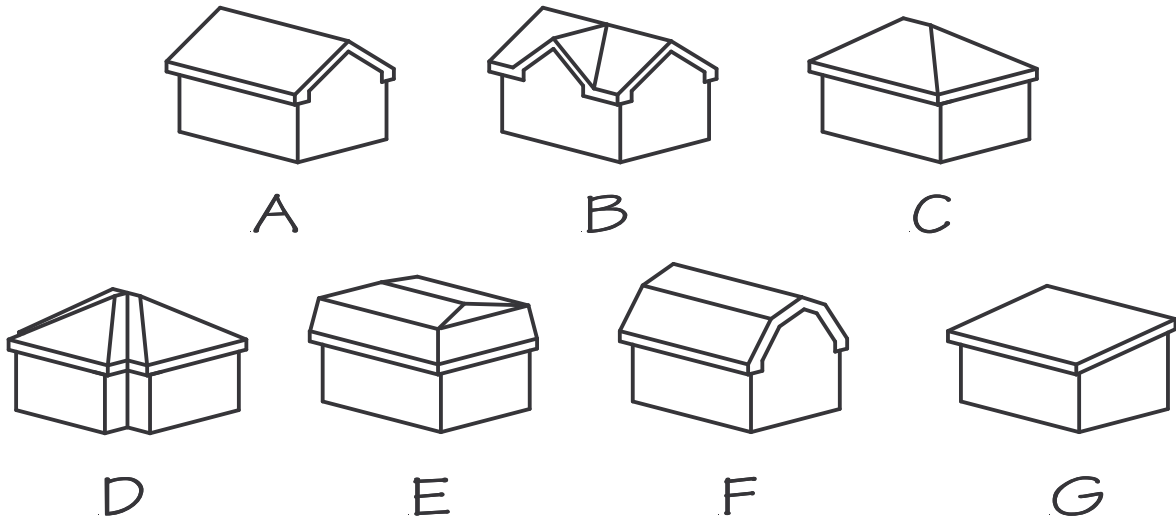


Figure 1

1. What type of roof is the one labeled C in Figure 1 (Page 7.2, Section 2.0.0)?
2. What type of roof is the one labeled F in Figure 1 (Page 7.2, Section 2.0.0)?
3. What type of roof is the one labeled D in Figure 1 (Page 7.2, Section 2.0.0)?
4. What type of roof is the one labeled G in Figure 1 (Page 7.2, Section 2.0.0)?
5. What is the horizontal distance from the outside of one exterior wall to the outside of the opposite exterior wall known as (Page 7.3, Section 3.0.0)?
6. The distance a rafter rises vertically for each foot of horizontal distance (run) is known as (Page 7.3, Section 3.0.0)?
7. What is the pitch of a roof that has a rise of 6' and a run of 12' is known as (Page 7.3, Section 3.0.0)?

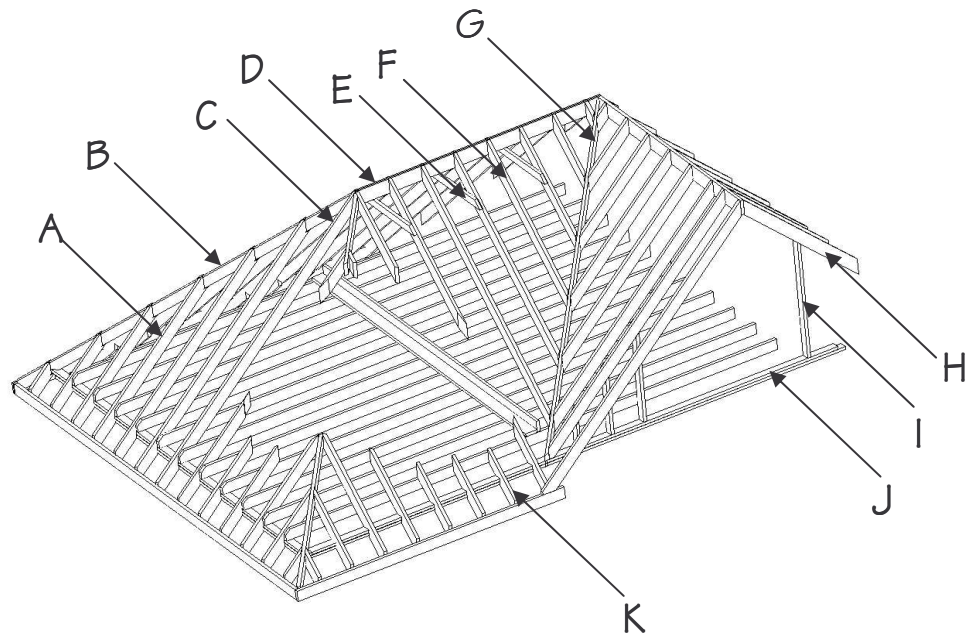


Figure 2

8. What is callout F in Figure 2 pointing to (Page 7.4, Section 3.0.0)?

9. What is callout E in Figure 2 pointing to (Page 7.4, Section 3.0.0)?

10. What is callout K in Figure 2 pointing to (Page 7.4, Section 3.0.0)?

11. What is callout A in Figure 2 pointing to (Page 7.4, Section 3.0.0)?

12. What is callout G in Figure 2 pointing to (Page 7.4, Section 3.0.0)?

13. Which of the callouts in Figure 2 is pointing to a barge rafter (Page 7.4, Section 3.0.0)?

14. Which of the framing members in Figure 2 does not have a bird's mouth (Page 7.4, Section 3.0.0)?

15. What is the roof frame member that is attached between the barge rafter and the common rafter at the gable end (Page 7.4, Section 3.0.0 Figure 2)?

16. What are the three main parts of a framing square? (Page 7.4, Section 3.1.0)?
17. What frame piece is nailed to the end of the rafter tail and provides a nailing surface for the fascia (Page 7.7 Section 3.2.0)?
18. What is the length of a common rafter for a roof with a span of 32' and a rise of 8' (Page 7.9 Section 3.2.2)?
19. How are the bird's mouth and ridge board taken into account when determining the correct length for a common rafter (Page 7.10, Section 3.2.3)?
20. When beams (ties) are needed to brace rafters how are they installed on rafters (Page 7.11, Section 3.3.0).
21. What is the purpose for providing ventilation for a roof (Page 7.12, Section 3.3.2)?
22. When would a spreader bar be needed to lift trusses (Page 7.21, Section 6.0.0)?
23. If a building is 30' long and the roof does not have an overhang (no rafter tails), how many 16' long pieces of lumber will be needed if the common rafters are 14' long and the rafters are positioned 24" O.C. (Page 7.26, Section 7.1.0)?
24. What is the thickness of the ridgeboard in relation to a common rafter? (Page 7.26, Section 7.1.0)
25. What is the roof extension shown in Figure 3 known as (Page 7.26, Section 8.0.0)?



26. What is the roof extension shown in Figure 3 known as (Page 7.26, Section 8.0.0)?



27. How are the framing members for a metal truss are connected together (Page 7.28, Section 10.0.0)?