

Making the Silhouette Board

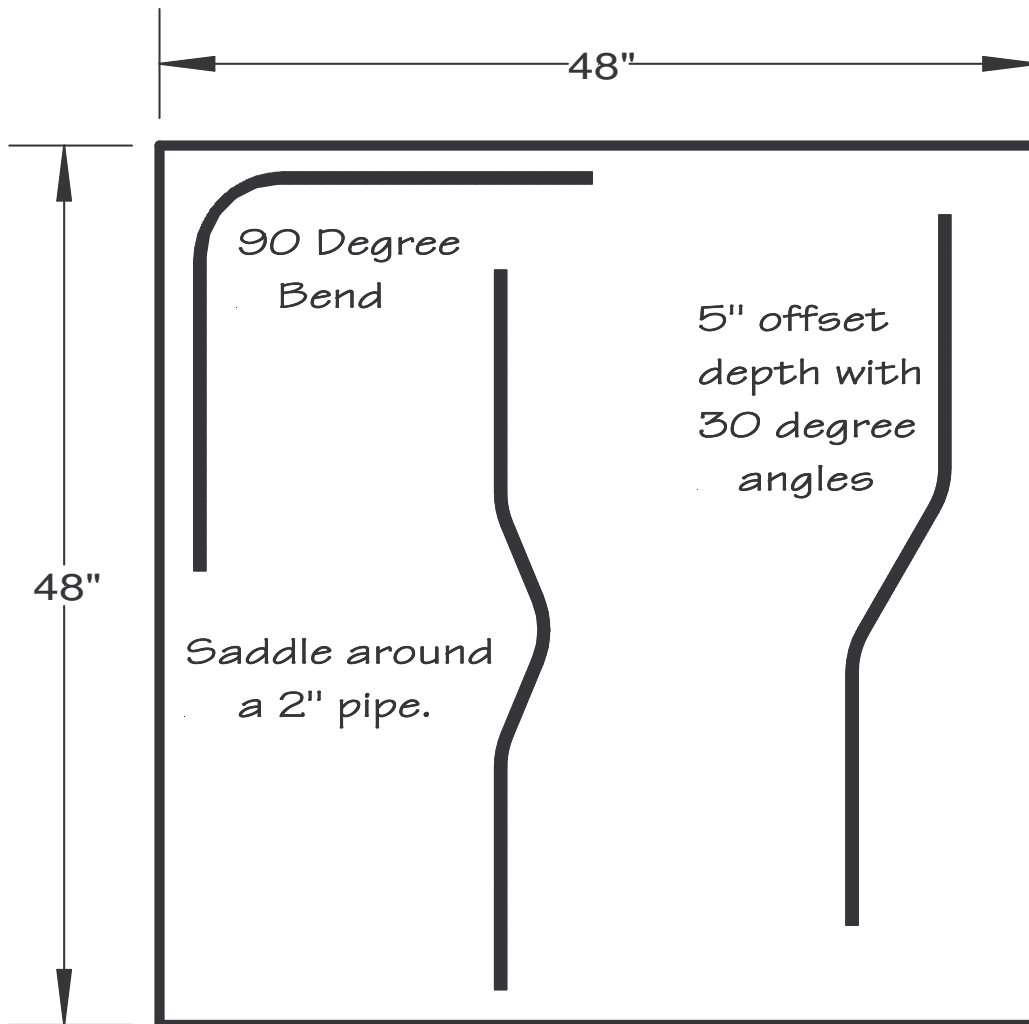
Carefully trace each EMT shape on the board's surface. Mask the outside area around each pipe outline with masking tape. Spray or brush the inside shape with a dark contrasting color.

Cut and make the 1/2" EMT bends for each shape. Carefully position each shape close to the positions indicated on this drawing so that the student's drawing will match the board silhouette arrangement (less confusion).

Pipe Bending
Board Plan

1 of 1

D. Bohmer '09



You will be issued 1 length of 1/2" EMT that is 10' long. Cut it into 3 pieces that are each 40" in length. Consult the textbook and your teacher for guidance. Bend one piece into each of these 3 different profiles.

Pipe ends must be reamed smooth. Your shapes must lay flat on the board. Each piece must be placed upon and match the shape of the silhouette painted on the board. There can not be any kinks in the tubing. No couplings can be used on any piece.

1/2 Sheet of Sheathing
 (all bends or offsets are shaped in the center of the length of tubing)

Pipe Bending
Board

1 of 1

D. Bohmer '09